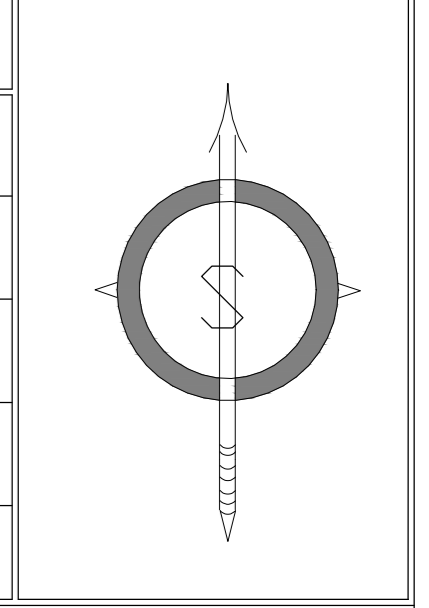


Koordinate granice zahvata

1	6553806.24	4696362.69
2	6553819.14	4696354.36
3	6553855.87	4696328.04
4	6553863.99	4696322.66
5	6553870.66	4696319.16
6	6553879.80	4696315.52
7	6553897.57	4696310.96
8	6553943.12	4696299.40
9	6553954.95	4696294.62
10	6553963.15	4696290.46
11	6553977.53	4696281.58
12	6553984.69	4696277.07
13	6553993.46	4696272.83
14	6554016.25	4696263.28
15	6554024.57	4696258.93
16	6554046.11	4696244.87
17	6554048.92	4696240.70
18	6554029.71	4696227.14
19	6554005.53	4696216.64
20	6553985.98	4696208.58
21	6553978.80	4696206.99
22	6553943.66	4696203.24
23	6553852.00	4696205.41
24	6553832.37	4696207.65
25	6553821.59	4696209.48
26	6553811.07	4696212.48
27	6553792.79	4696218.80
28	6553767.54	4696224.35
29	6553746.09	4696227.73
30	6553747.32	4696251.91
31	6553755.93	4696260.20
32	6553761.46	4696269.20
33	6553770.83	4696283.14
34	6553792.33	4696329.19
35	6553797.87	4696337.75
36	6553798.55	4696344.73

LEGENDA

	granica zahvata detaljnog urbanističkog plana
	granica katastarske parcele
	broj katastarske parcele
	koordinate granice zahvata
	površina zahvata predmetnog DUP-a



Investitor **Opština Tivat**



Obrađivač **"ARHIPLAN CG" d.o.o. Podgorica**



**Detaljni urbanistički plan "Stari Krašići"**

Planer	<b>Arh. Milena Nilević, dipl.ing.</b>	Razmjera
Saradnik	<b>Zonja Adović, spec.sci.arh.</b>	
Saradnik	<b>Stefan Vlahović, spec.sci.arh.</b>	<b>1:1000</b>

Naziv grafičkog priloga:	<b>TOPOGRAFSKO KATASTARSKA PODLOGA SA GRANICOM ZAHVATA</b>	Broj lista
		<b>01</b>