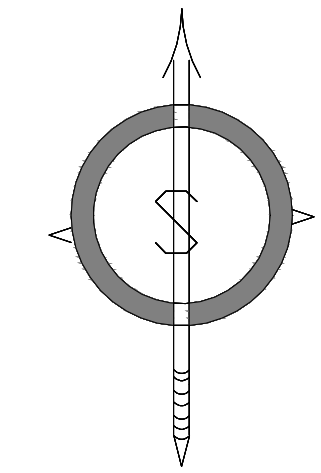




1	6553759.62	4696262.38	53	6553967.19	4696259.81	105	6553873.74	4696210.02	157	6553929.11	4696298.25
2	6553757.50	4696258.94	54	6553974.06	4696272.61	106	6553869.53	4696210.11	158	6553939.65	4696295.28
3	6553750.33	4696252.03	55	6553976.40	4696276.37	107	6553874.10	4696223.02	159	6553934.33	4696282.57
4	6553768.59	4696258.08	56	6553962.77	4696284.84	108	6553877.43	4696229.61	160	6553928.58	4696269.78
5	6553775.09	4696270.74	57	6553960.61	4696279.94	109	6553879.67	4696234.91	161	6553926.89	4696264.60
6	6553787.39	4696265.43	58	6553959.02	4696276.05	110	6553862.88	4696236.18	162	6553912.27	4696266.31
7	6553780.41	4696251.44	59	6553951.57	4696257.15	111	6553851.44	4696211.01	163	6553917.15	4696279.26
8	6553795.96	4696273.72	60	6553947.82	4696259.15	112	6553821.97	4696215.12	164	6553915.97	4696279.93
9	6553797.74	4696277.31	61	6553955.32	4696277.56	113	6553829.54	4696231.04	165	6553917.92	4696286.05
10	6553801.94	4696287.65	62	6553956.93	4696281.50	114	6553835.89	4696244.52	166	6553919.22	4696285.63
11	6553803.19	4696290.14	63	6553959.26	4696286.81	115	6553814.91	4696253.57	167	6553791.09	4696263.72
12	6553817.01	4696283.74	64	6553947.16	4696292.50	116	6553808.38	4696240.11	168	6553811.24	4696255.15
13	6553819.88	4696280.80	65	6553944.47	4696286.39	117	6553805.20	4696232.16	169	6553806.34	4696245.06
14	6553816.18	4696273.35	66	6553940.05	4696276.36	118	6553800.30	4696222.03	170	6553804.72	4696241.73
15	6553812.38	4696266.64	67	6553934.85	4696263.98	119	6553812.87	4696217.68	171	6553801.54	4696233.78
16	6553805.46	4696294.60	68	6553765.09	4696251.18	120	6553769.53	4696229.60	172	6553796.12	4696222.56
17	6553826.40	4696284.90	69	6553755.72	4696237.17	121	6553775.19	4696239.32	173	6553774.15	4696227.89
18	6553828.86	4696289.81	70	6553751.16	4696232.50	122	6553778.26	4696248.06	174	6553774.23	4696229.98
19	6553834.06	4696301.96	71	6553749.51	4696236.54	123	6553766.79	4696254.52	175	6553779.11	4696237.91
20	6553813.11	4696310.53	72	6553761.60	4696253.15	124	6553780.60	4696302.63	176	6553780.75	4696243.00
21	6553808.10	4696299.71	73	6553764.93	4696259.75	125	6553786.98	4696299.29	177	6553782.61	4696246.93
22	6553820.70	4696263.05	74	6553987.58	4696218.05	126	6553777.18	4696280.63			
23	6553824.13	4696269.14	75	6553993.27	4696234.47	127	6553772.76	4696282.76			
24	6553827.94	4696276.81	76	6554005.14	4696228.30	128	6553773.94	4696289.15			
25	6553830.65	4696282.21	77	6554003.94	4696223.55	129	6553833.32	4696290.04			
26	6553832.53	4696286.04	78	6554006.93	4696231.88	130	6553836.16	4696296.62			
27	6553847.99	4696279.76	79	6553994.47	4696238.35	131	6553838.56	4696302.35			
28	6553851.50	4696278.01	80	6554005.09	4696262.56	132	6553841.17	4696310.16			
29	6553840.53	4696254.49	81	6554010.72	4696260.24	133	6553847.89	4696327.40			
30	6553847.00	4696251.70	82	6554015.18	4696258.25	134	6553866.92	4696315.25			
31	6553849.23	4696250.74	83	6554019.71	4696255.93	135	6553864.24	4696310.06			
32	6553863.48	4696247.21	84	6554015.90	4696249.57	136	6553864.57	4696309.38			
33	6553872.55	4696269.18	85	6554010.98	4696239.81	137	6553861.01	4696300.94			
34	6553879.28	4696284.18	86	6554003.36	4696259.23	138	6553854.38	4696284.48			
35	6553865.03	4696291.01	87	6553943.85	4696208.86	139	6553853.15	4696281.66			
36	6553859.99	4696278.64	88	6553947.91	4696218.57	140	6553859.71	4696278.27			
37	6553903.83	4696286.29	89	6553936.96	4696222.65	141	6553861.22	4696281.66			
38	6553908.63	4696303.17	90	6553931.01	4696208.70	142	6553865.82	4696292.99			
39	6553916.44	4696301.30	91	6553926.70	4696208.73	143	6553870.21	4696303.95			
40	6553910.86	4696285.44	92	6553929.18	4696214.82	144	6553873.81	4696312.40			
41	6553922.49	4696239.16	93	6553933.16	4696223.94	145	6553889.04	4696307.49			
42	6553929.28	4696255.77	94	6553918.08	4696229.02	146	6553885.10	4696296.65			
43	6553931.03	4696261.14	95	6553909.60	4696209.20	147	6553880.41	4696282.97			
44	6553946.31	4696255.44	96	6553905.29	4696209.31	148	6553878.95	4696282.89			
45	6553937.46	4696234.10	97	6553914.20	4696230.14	149	6553875.59	4696275.48			
46	6553941.26	4696232.81	98	6553899.86	4696233.36	150	6553898.35	4696280.20			
47	6553943.85	4696238.83	99	6553890.55	4696209.65	151	6553884.96	4696283.87			
48	6553950.06	4696254.04	100	6553883.89	4696209.80	152	6553869.86	4696246.52			
49	6553962.16	4696249.53	101	6553893.26	4696234.08	153	6553884.26	4696245.55			
50	6553954.83	4696234.54	102	6553883.90	4696234.65	154	6553895.23	4696274.29			
51	6553952.28	4696228.67	103	6553881.07	4696227.93	155	6553922.56	4696294.68			
52	6553963.93	4696253.14	104	6553877.78	4696221.44	156	6553927.45	4696293.51			

LEGENDA	
	granica zahvata detaljnog urbanističkog plana
	granica i broj katastarske parcele
	oznaka urbanističke parcele
	granica građevinske linije sa koordinatama prelomnih tačaka
	kolsko-pješačke površine
	pješačke površine
	postojeći objekti
	površina javne namjene



Investitor	Opština Tivat	
Obrađivač	"ARHIPLAN CG" d.o.o. Podgorica	
Detaljni urbanistički plan "Stari Krašići"		
Planer	Arh. Milena Nilević, dipl. ing.	Razmjera
Saradnik	Zonja Adović, spec. sci. arh.	1:1000
Saradnik	Stefan Vlahović, spec. sci. arh.	Broj lista
Naziv grafičkog priloga:		07a.
KOORDINATE PRELOMNIH TAČAKA GRAĐEVINSKIH LINIJA		